

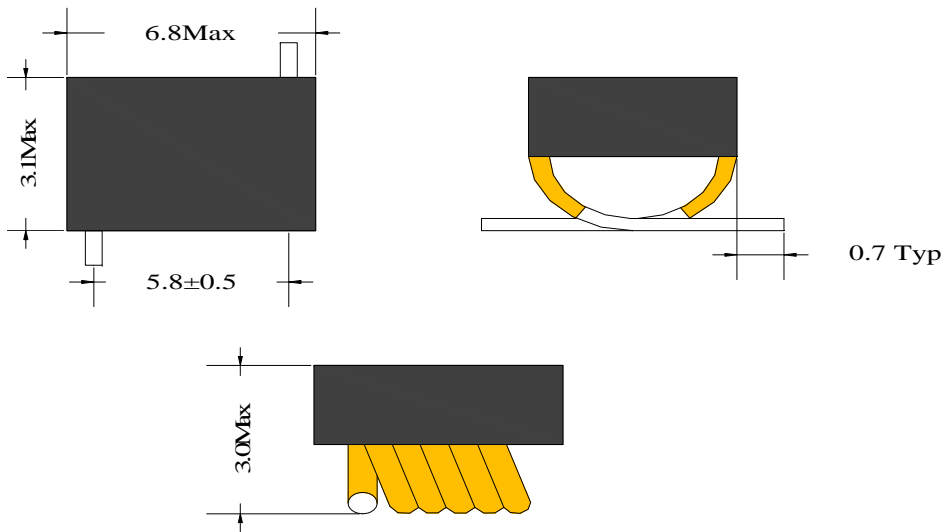


**SMD Air Coil Inductor
PSAC0703 Series**

Web: <http://www.dgpinzhan.com>
E-mail: sale@dgpinzhan.com

| | | | | | |
|-----------------|-----------|------------|------|------|------|
| Part Code | Date | Production | Type | Vers | Page |
| PSAC0703-Series | 2018/11/5 | Tom | DIP | A001 | 1 |

1. Dimensions: [mm]



4. General Properties:

It is recommended that the temperature of the component does not exceed +125°C under worst case conditions.

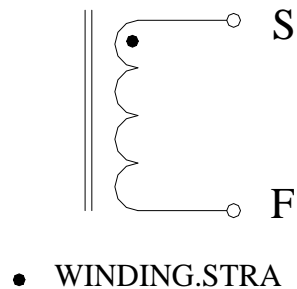
| | |
|-------------------------|----------------------|
| Storage Temperature: | -20 °C up to +60 °C |
| Operating Temperature: | -40 °C up to +125 °C |
| Temperature Rise < 55K. | |

Test conditions of Electrical Properties: +20°C, 33% RH if not specified differently.

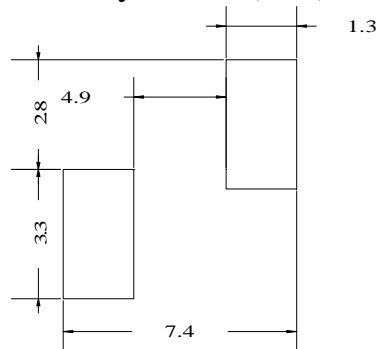
5. Electrical Properties:

| Part Code | Inductance | Tolerance | DCR | SRF | Rated Current |
|----------------|------------|-----------|----------|------------|---------------|
| | nH | 10% | MΩ (Max) | MHz (Min) | A (Max) |
| PSAC0703-17N5J | 17.50 | J | 4.5 | 2200 (REF) | 3.5 |
| PSAC0703-22N0J | 22.00 | J | 5.2 | 2100 (REF) | 3.0 |
| PSAC0703-28N0J | 28.00 | J | 6.0 | 1800 (REF) | 2.8 |
| PSAC0703-35N5J | 35.50 | J | 6.8 | 1500 (REF) | 2.7 |
| PSAC0703-45N5J | 43.50 | J | 7.9 | 1200 (REF) | 2.5 |

2. Schematic:



3. PCB Layout Ref(mm)



Test frequency: 150MHz